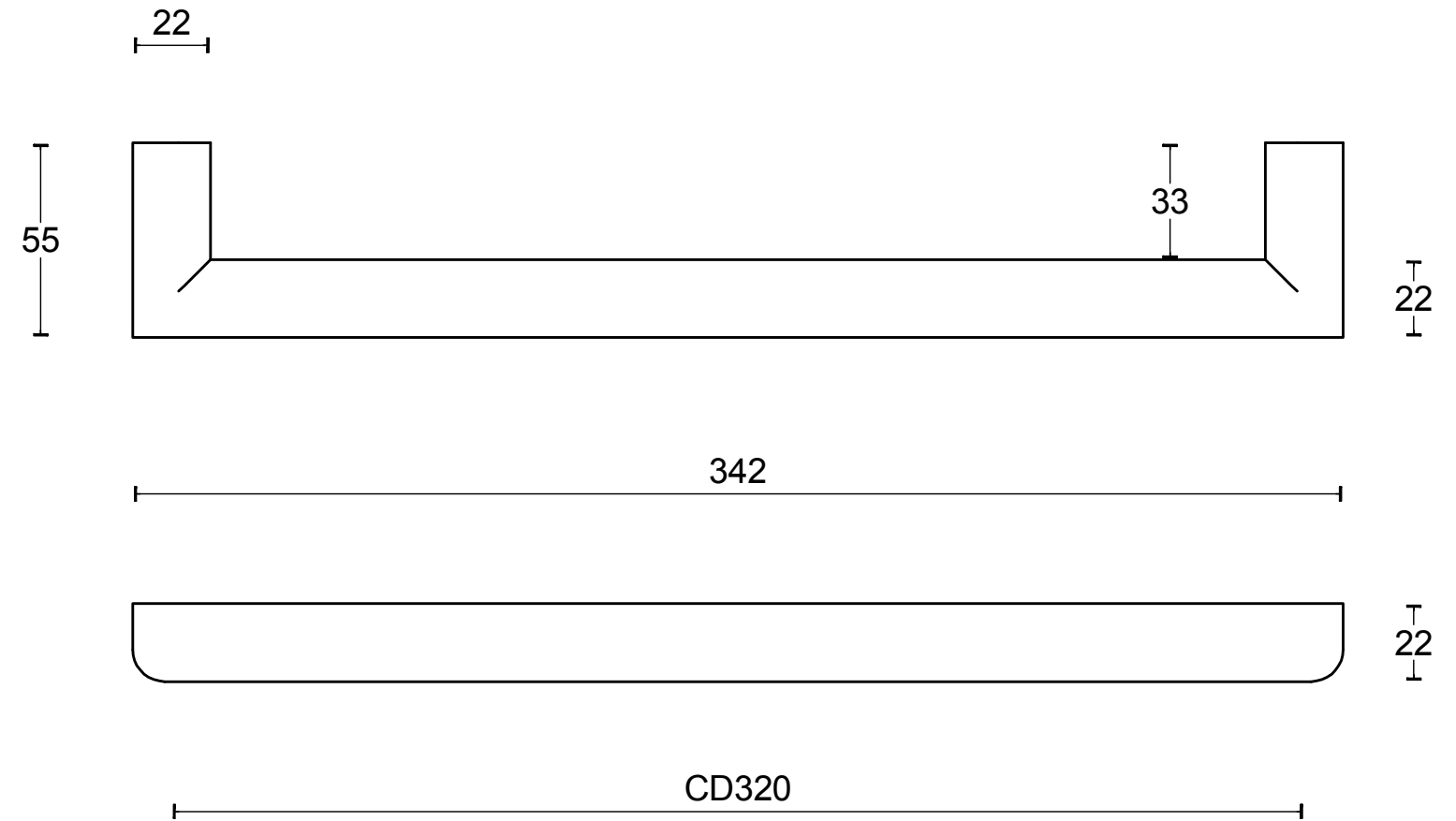
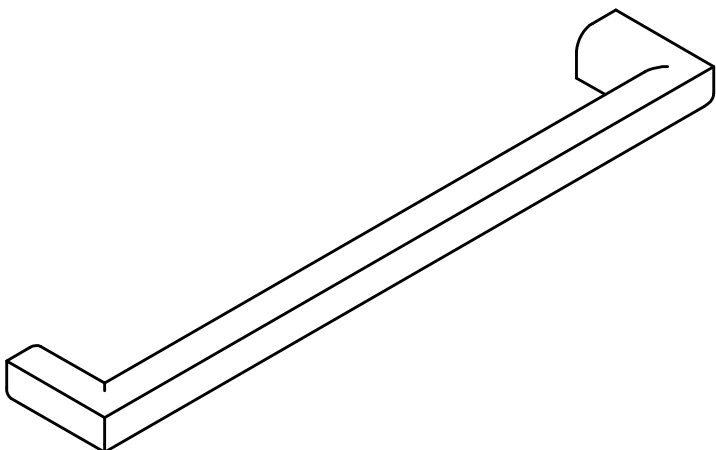
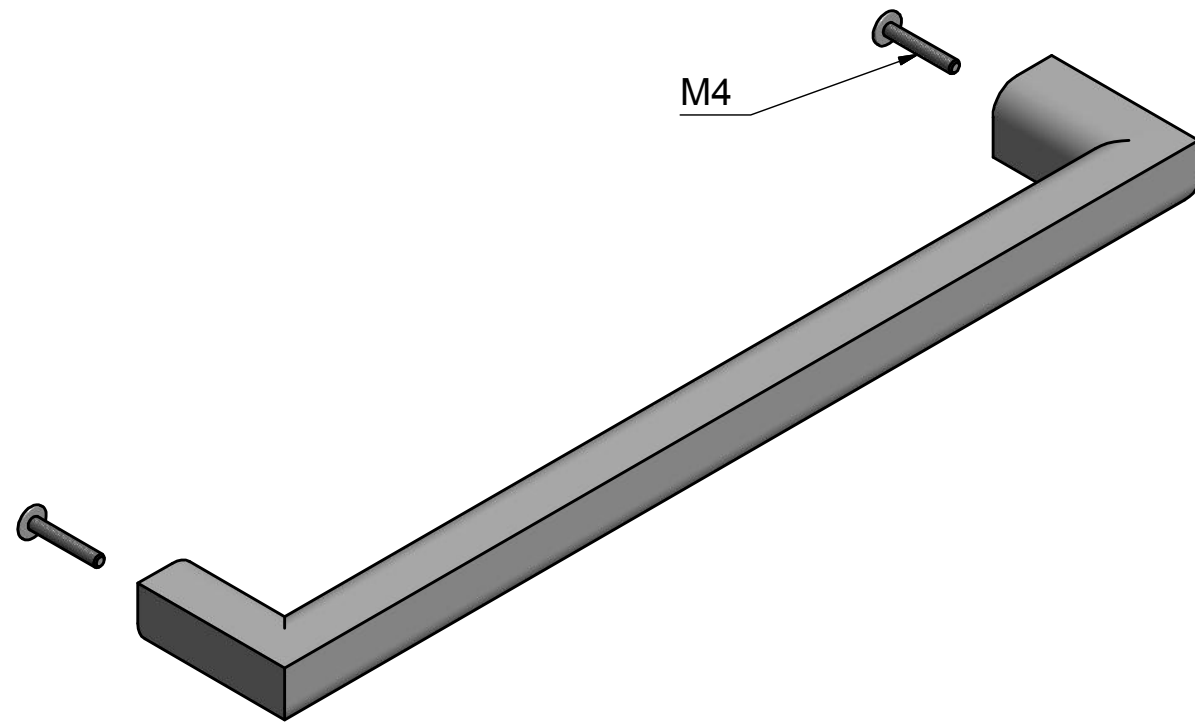


# PB23/320

solid cabinet handle  
stainless steel



<h1>FORMANI®</h1>		Part number:	
		<h2>PB23/320</h2>	
Doc no.: 2704M008INXX0 PB23 320 V02.dwg	Description:		Format:
Drawn by: Christian Brimbois	Creation date: 29-3-2013	<h2>A3</h2>	
Formani Holland B.V. · Amerikalaan 55 · 6199 AE Maastricht Airport · tel: +31 (0)43 308 90 00 · www.formani.nl · info@formani.nl			