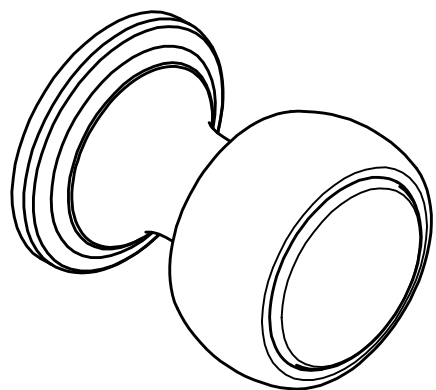
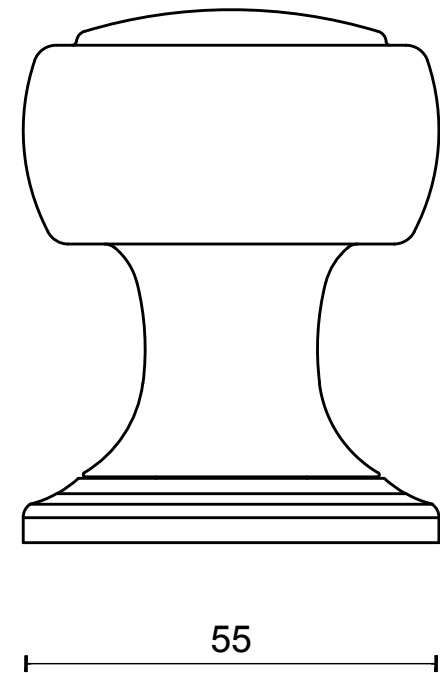
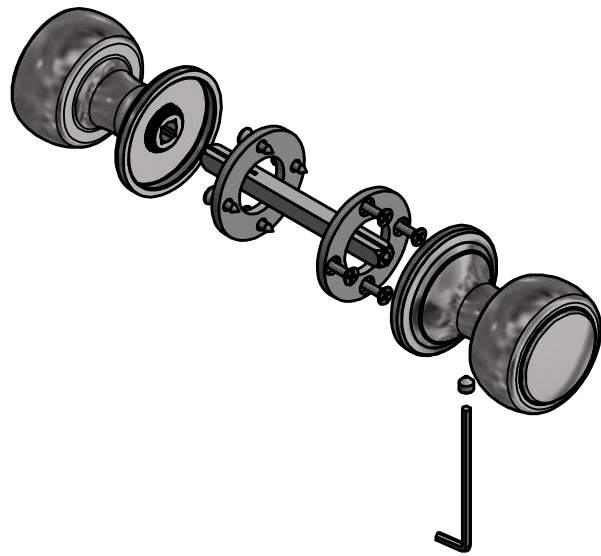
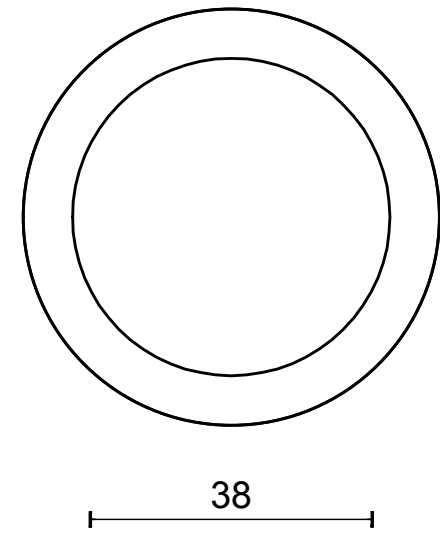
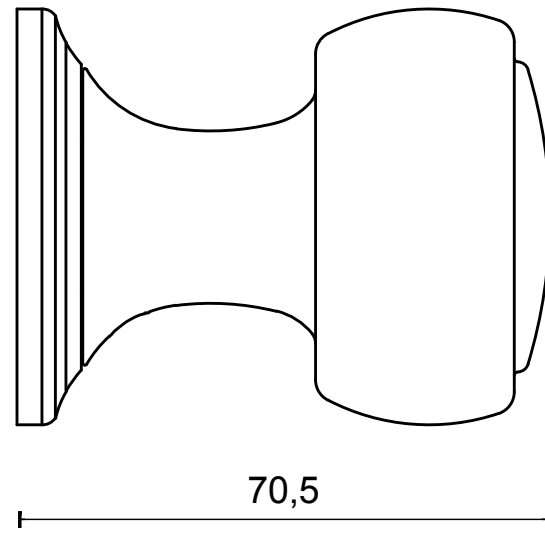


# LZ200PD

solid unsprung knob to  
operate on rose  
with metal sub-rose

stainless steel or brass



FORMANI®		Part number:	
		LZ200PD	
Doc no.: 3402K001 5 LZ200PD V01.dwg		Description:	Format:
Drawn by: Christian Brimbois	Creation date: 29-8-2017		A3
FORMANI HOLLAND B.V. EUROPALAAN 12 6199 AB MAASTRICHT-AIRPORT NL T +31 (0)43 308 90 00 INFO@FORMANI.COM FORMANI.COM			