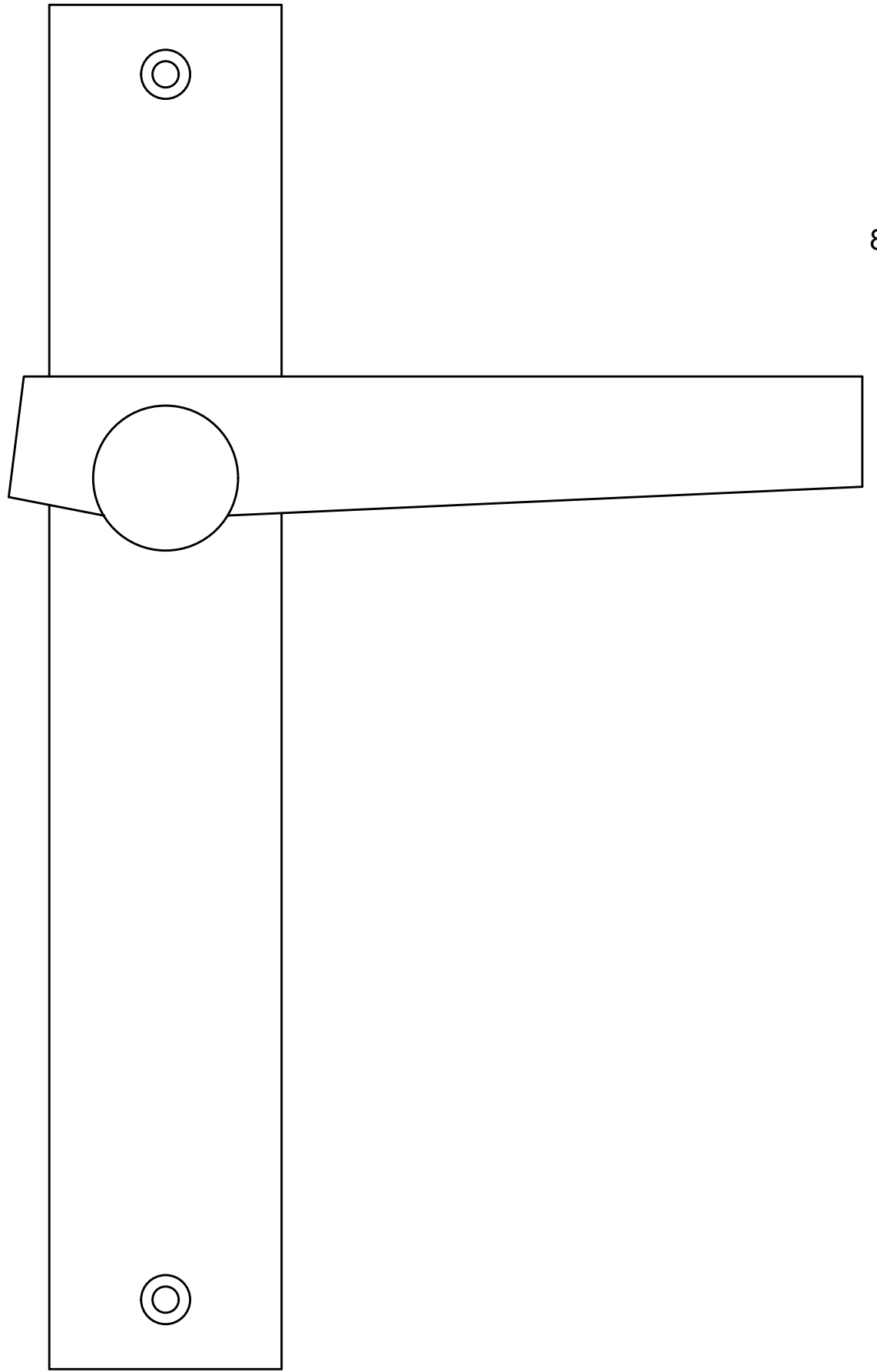


235

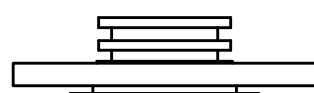


81,5

T3

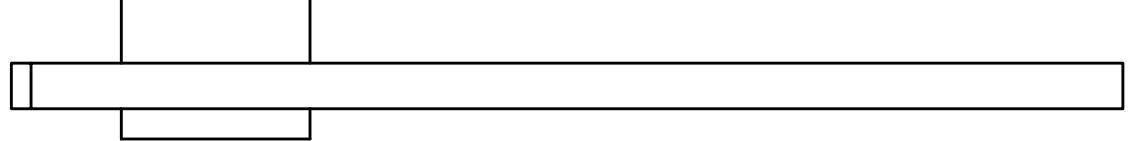
40

3



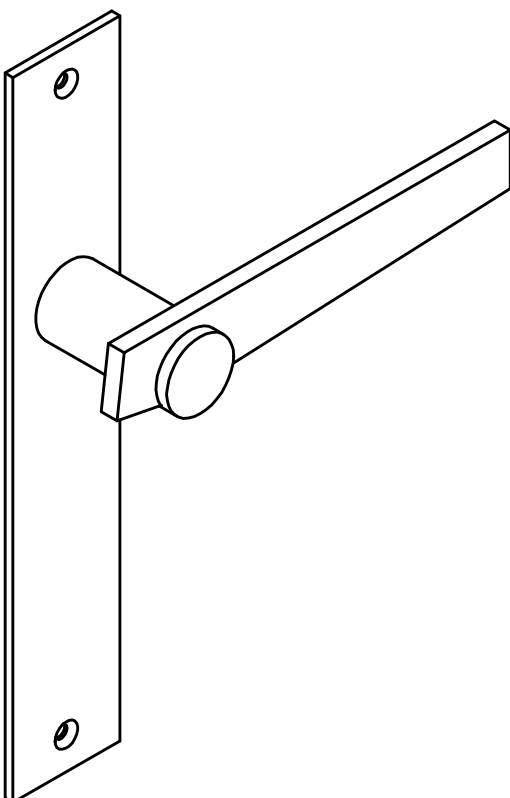
53

6



140

147



FORMANI®

Part number:

Doc no.: 3301D002 TENSE BB101P236SFC V01.dwg

Description:

TENSE
BB101P236SFC

Format:

A3

Drawn by: Christian Brimbois | Creation date: 28-4-2016