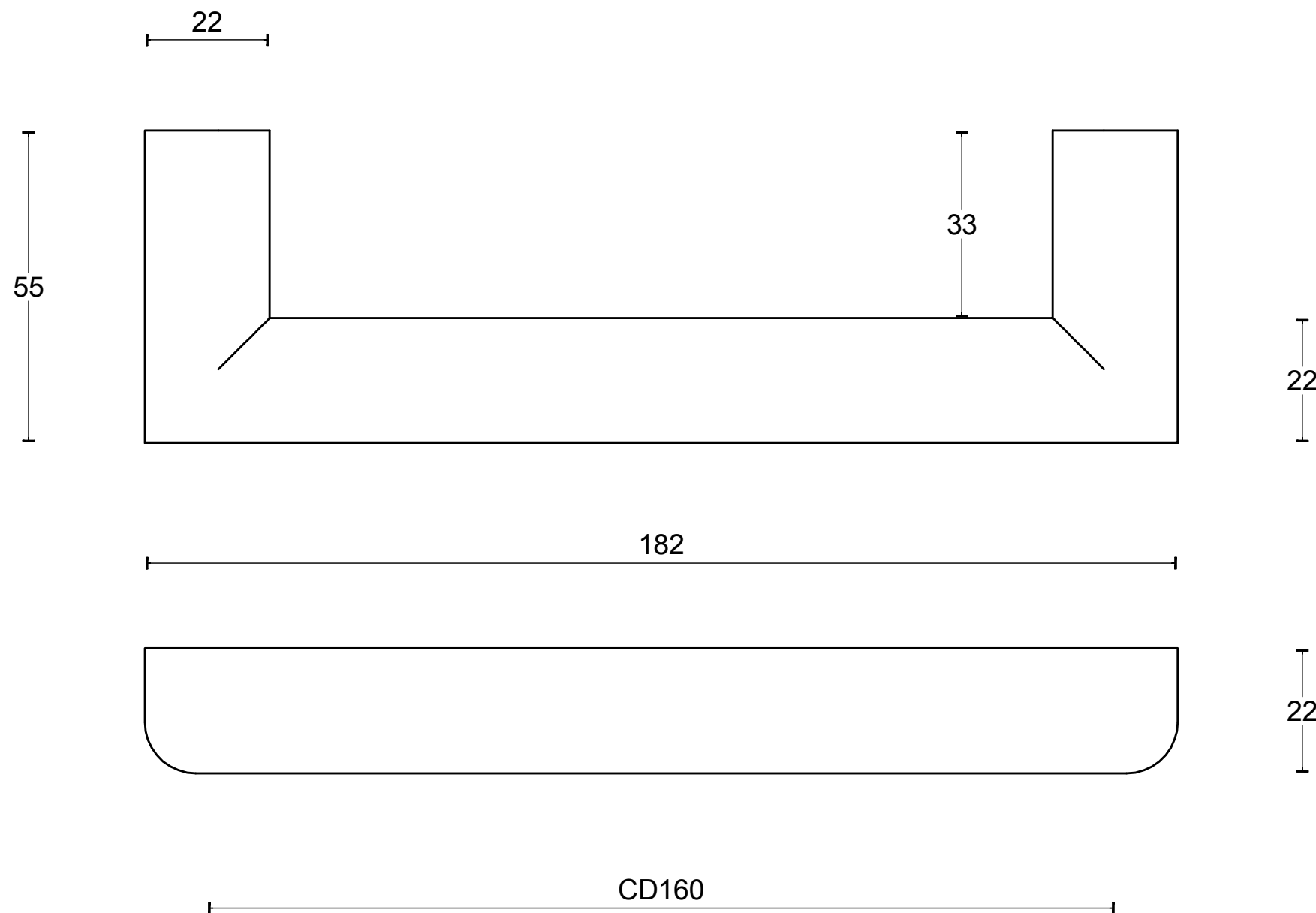
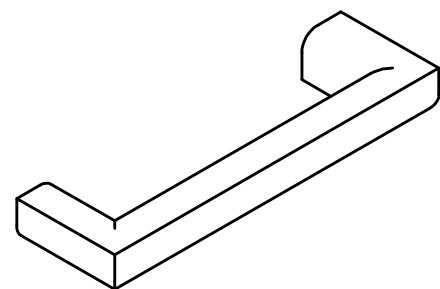
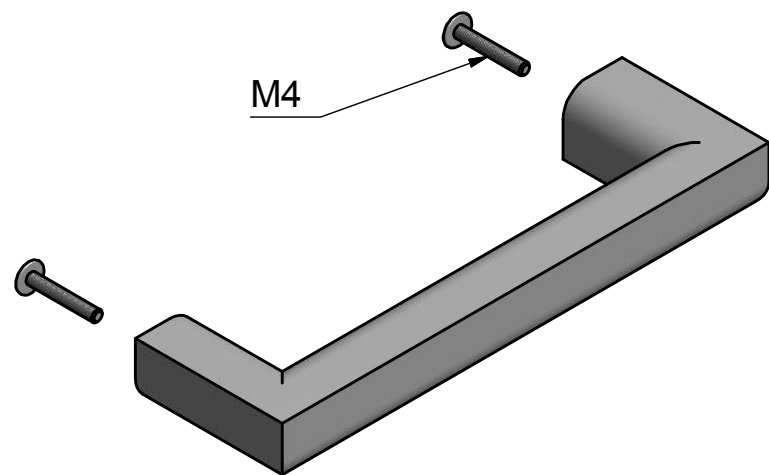


# PB23/160

solid cabinet handle  
stainless steel



FORMANI®		Part number:	
		Description:	
Doc no.:	2704M007INXX0 PB23 160 V02.dwg	PB23/160	Format:
Drawn by:	Christian Brimbois		Creation date:
A3			
Formani Holland B.V. · Amerikalaan 55 · 6199 AE Maastricht Airport · tel: +31 (0)43 308 90 00 · www.formani.nl · info@formani.nl			